



185 Durham Street West, Mount Forest,  
Ontario N0G 2L1, Canada



**Submittal**  
**EPA1050**  
**Stainless Steel Condensing Boiler**



Project Name	
Project Location	
Contractor	
Engineering Firm	
Boiler Representative	
Sales Rep. Phone	
Date Created	

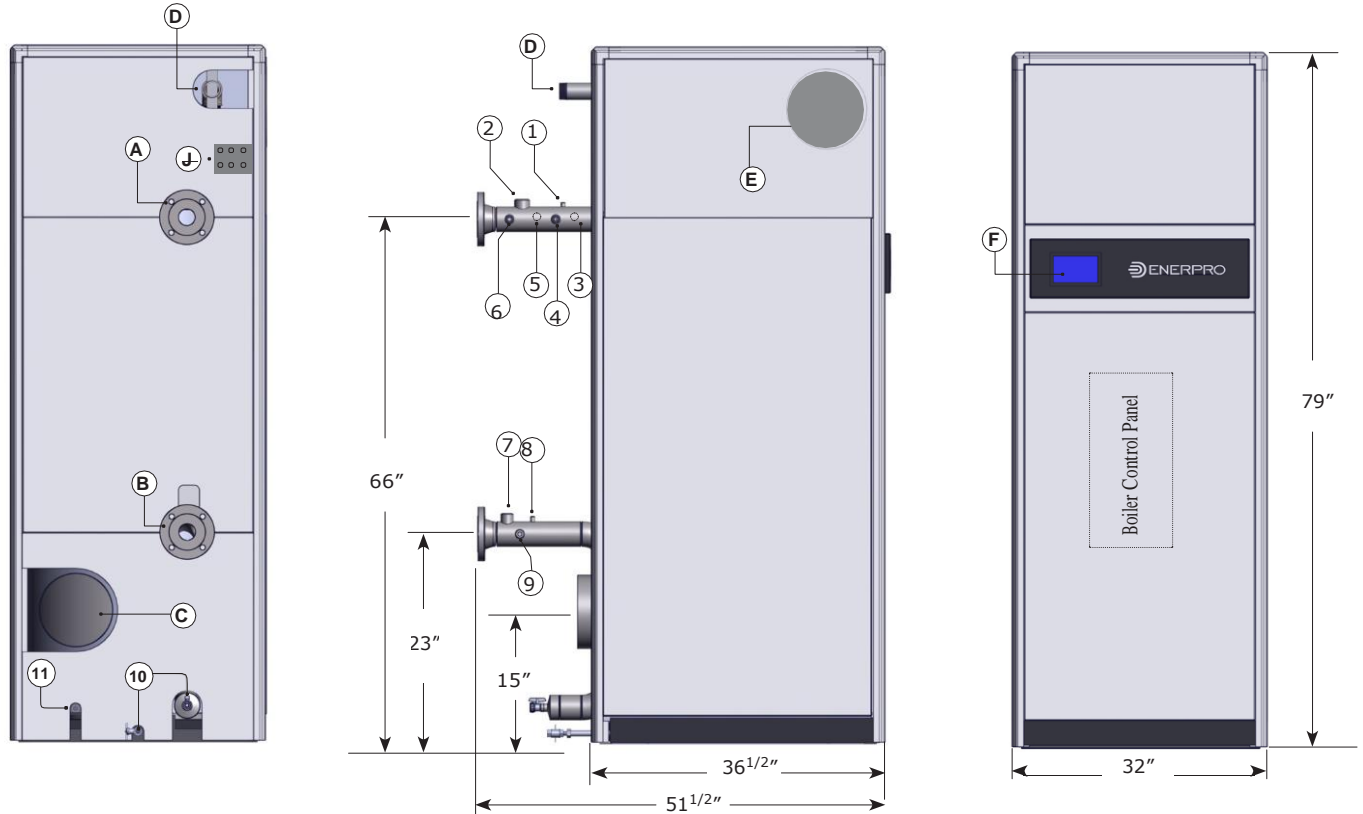
Relief Valve	
Notes	
Code	

**Revision**

1		Date:	4		Date:
2		Date:	5		Date:
3		Date:	6		Date:

EPA 1050-Sub.8/17-RV2.2

Dimensions

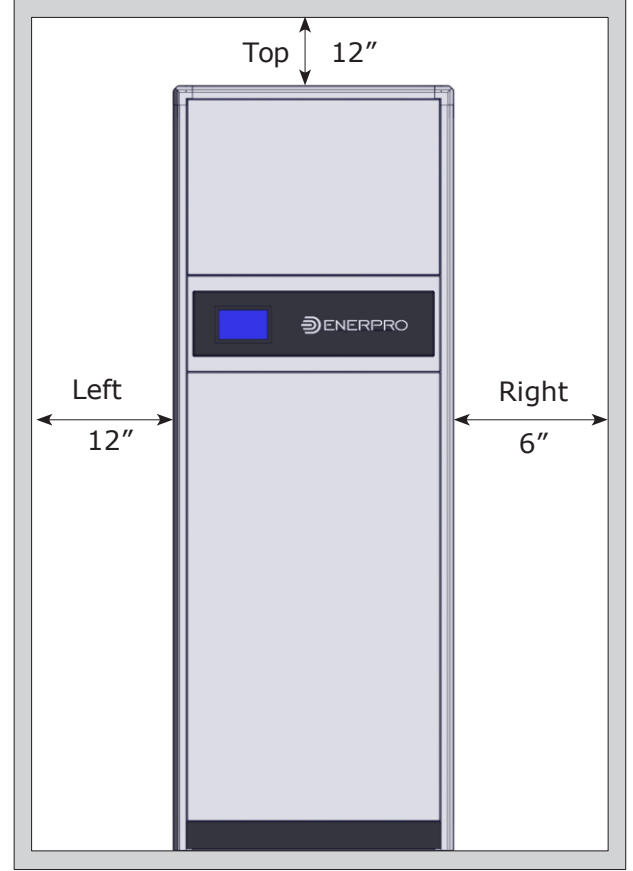
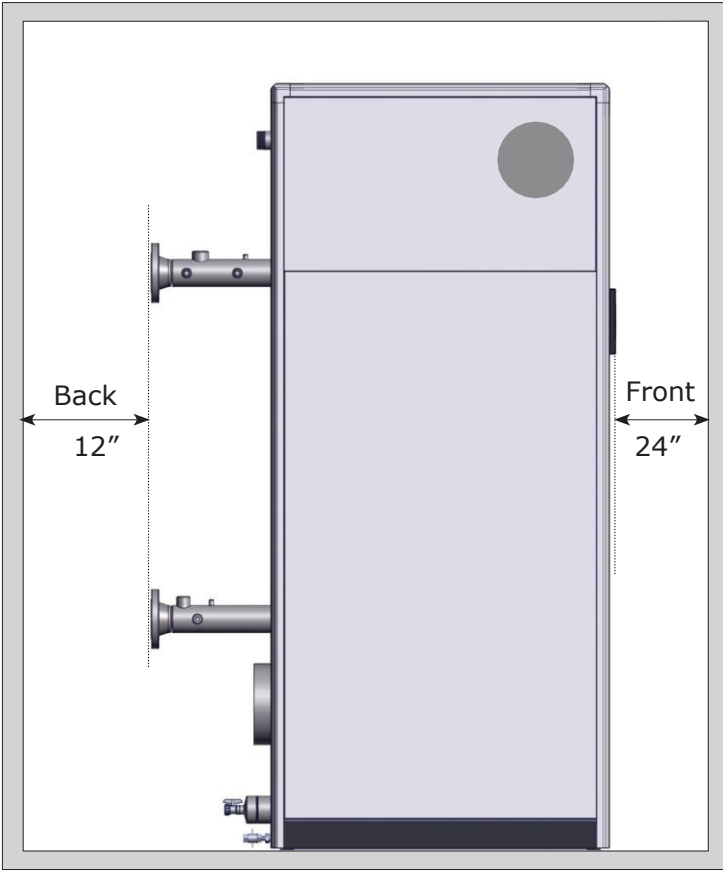


A	Boiler Supply (#150 ANSI Flanged)	2 1/2"	D	Gas Connection (NPT male)	1"	J	Wiring Junction	1/2"
B	Boiler Return (#150 ANSI Flanged)	2 1/2"	E	Combustion Air Inlet (Sealed Combustion Optional)	6"			
C	Boiler Exhaust Connection	6" ID	F	Honeywell Touch Screen	7"			

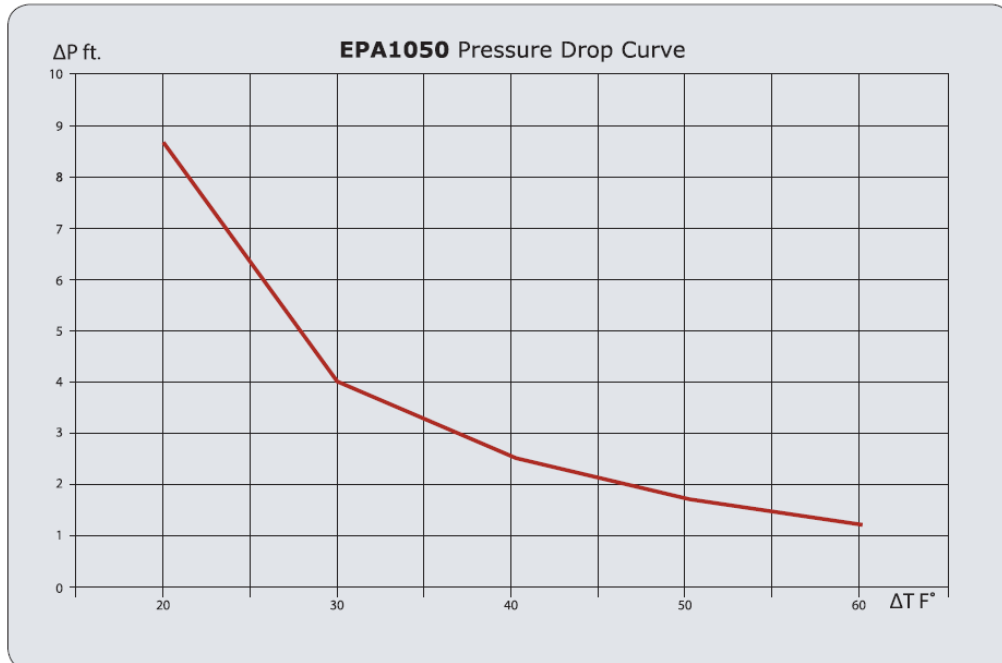
Ref.	Description	Size	Ref.	Description	Size
1	Air Vent	1/8"	7	Flow Switch	1"
2	Pressure Relief Valve *	1"	8	Air Vent	1/8"
3	NTC Temperature Sensor (Supply Water)	1/2"	9	NTC Temperature Sensor (Return Water)	1/2"
4	Low Water Cut Off (Manual Reset) **	3/4"	10	Boiler Drains, Hose Bib Connections	3/4"
5	Aquastat (Manual Reset)	1/2"	11	Condensate Drain (NPT Male)	1 1/4"
6	Temperature and Pressure Gauge	1/2"			

\* Relief valve size see attached relief valve submittal.  
 \*\* See attached component submittal for detail description.

**Service Clearance**



**Pressure Drop Curve**



**Technical Information**

<b>Boiler Specifications</b>	<b>Unit</b>	<b>Description</b>	
Firing Sequence Operation		Fully Modulating	
Minimum Fuel Input	MBH	105	
Maximum Fuel Input	MBH	1,050	
Minimum Heat Output	MBH	100	
Maximum Heat Output	MBH	1,029	
Fuel Type	Type	Natural Gas	
Gas Pressure	-	3"-20" WC (Dungs Gas Valve)	
	-	3.5"-14" WC (Honeywell Gas Valve)	
Vent	Inch	6"	
Air Intake	Inch	6"	
Condensate Drain Connection	Inch	1.25"	
Water Return Size	Inch	2 <sup>1/2</sup> " Flanged	
Water Supply Size	Inch	2 <sup>1/2</sup> " Flanged	
A.S.M.E MAWP	PSIG	160	
Maximum Water Temperature Safety Limit	°F /°C	200/93.3	
Water Temperature Operating Range	°F /°C	50-200/10-93	
Min PRV Capacity	Btu/hr	1,050,000	
Water Content	USG/L	51/194	
Dry Boiler Weight	LB/kg	1,240/562	
Control Voltage <12A	V	110/1/60	
Blower Voltage	V	110/1/60	
Burner Head	-	Metal Fiber	
Control System		Honeywell Sola	