



185 Durham Street West, Mount forest,
 Ontario N0G 2L1, Canada
 Tel.:1-519-509-5000



Submittal
EPA2080
Stainless Steel Condensing Boiler



| | |
|-----------------------|--|
| Project Name | |
| Project Location | |
| Contractor | |
| Engineering Firm | |
| Boiler Representative | |
| Sales Rep. Phone | |
| Date Created | |

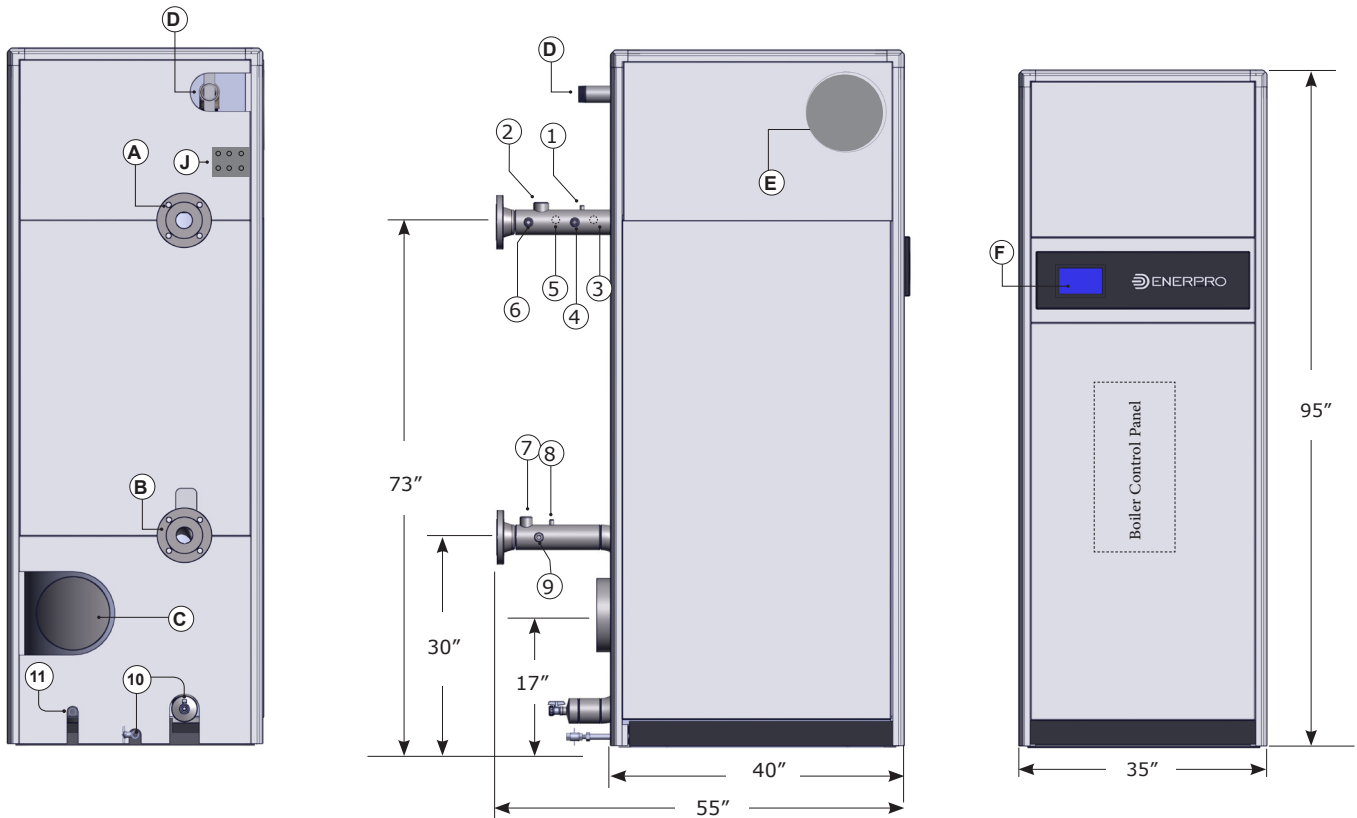
| | |
|----------------|--|
| Relief Valve | |
| Boiler Options | |
| | |
| | |
| | |
| | |
| Code | |

Revision

| | | | | | |
|---|--|-------|---|--|-------|
| 1 | | Date: | 4 | | Date: |
| 2 | | Date: | 5 | | Date: |
| 3 | | Date: | 6 | | Date: |

This drawing and the information depicted therein is the property of EnerPro Boilers. Copies are issued in strict confidence and shall not be reproduced or copied or used as the basis for the manufacture or sale of products without prior written permission of EnerPro Boilers.

Dimensions

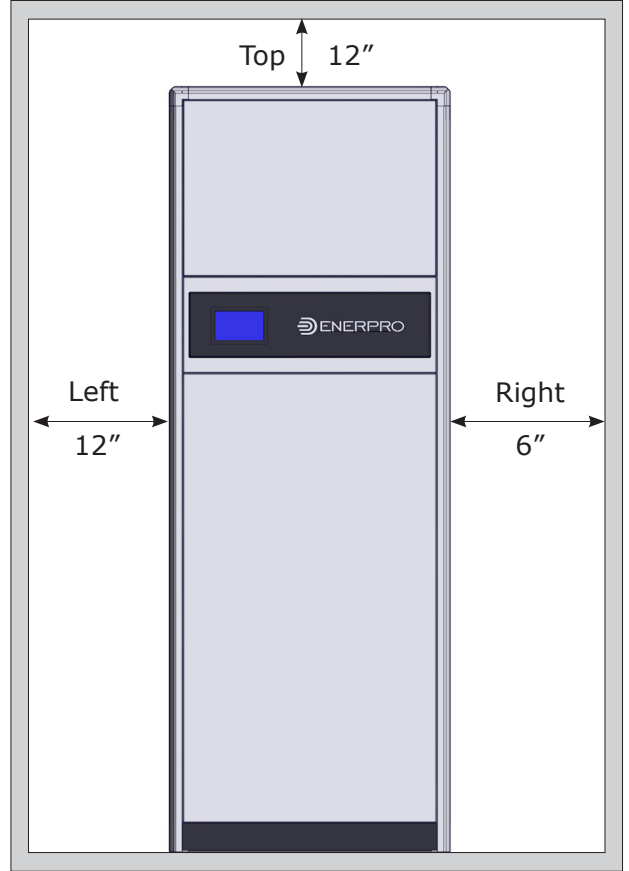
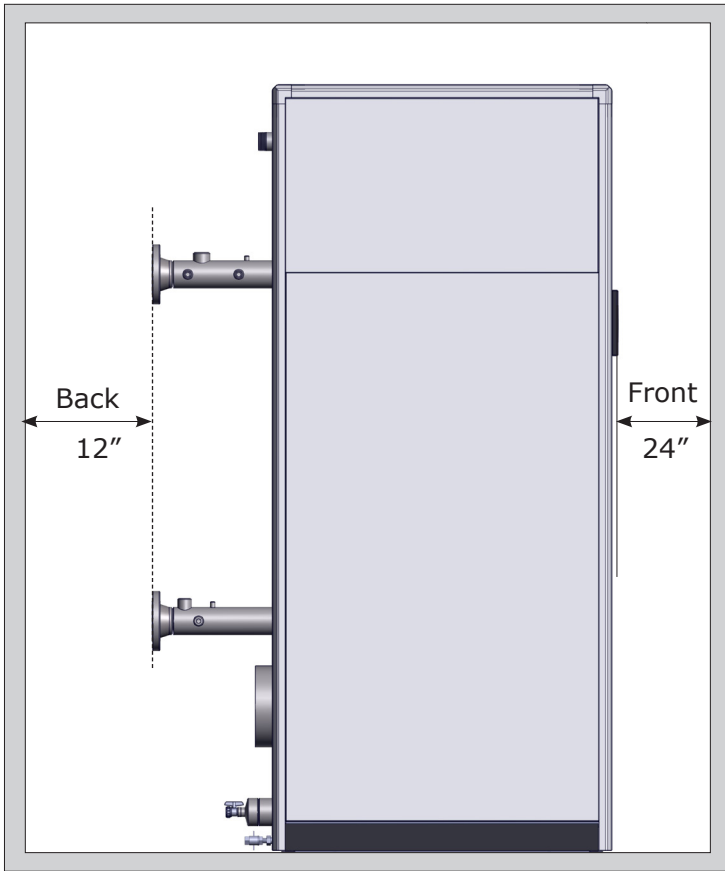


| | | | | | | | | |
|----------|-----------------------------------|--------|----------|---|----|----------|-----------------|------|
| A | Boiler Supply (#150 ANSI Flanged) | 3" | D | Gas Connection (NPT male) | 2" | J | Wiring Junction | 1/2" |
| B | Boiler Return (#150 ANSI Flanged) | 3" | E | Combustion Air Inlet (Sealed Combustion Optional) | 8" | | | |
| C | Boiler Exhaust Connection | 10" ID | F | Honeywell Touch Screen | 7" | | | |

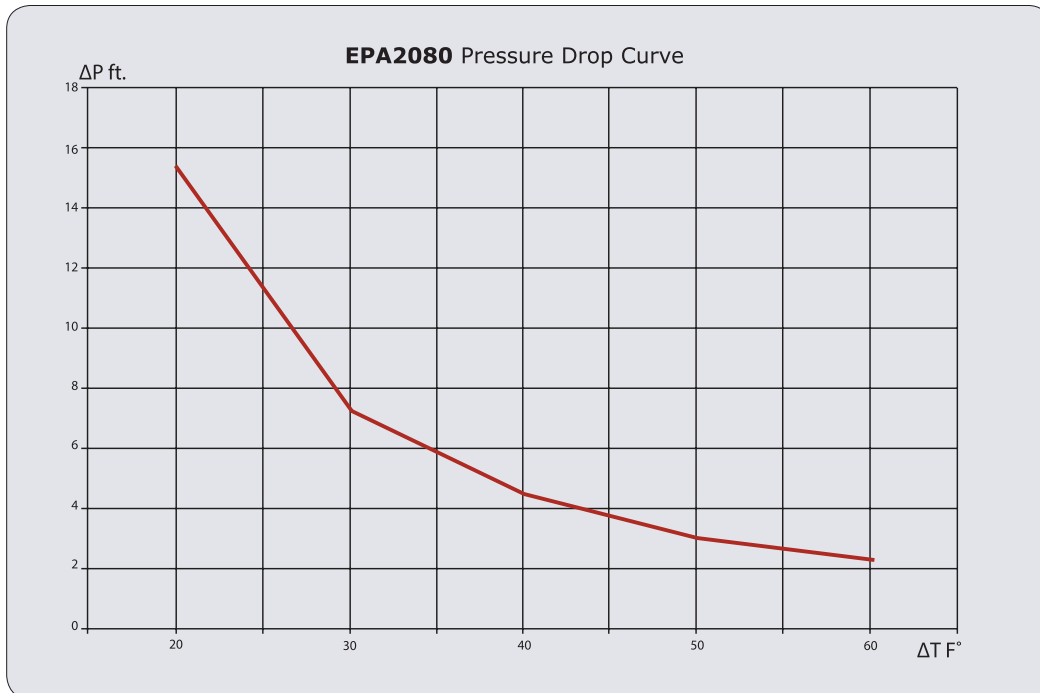
| Ref. | Description | Size | Ref. | Description | Size |
|----------|---------------------------------------|--------|-----------|---------------------------------------|--------|
| 1 | Air Vent | 1/8" | 7 | Flow Switch | 1" |
| 2 | Pressure Relief Valve * | 1 1/4" | 8 | Air Vent | 1/8" |
| 3 | NTC Temperature Sensor (Supply Water) | 1/2" | 9 | NTC Temperature Sensor (Return Water) | 1/2" |
| 4 | Low Water Cut Off (Manual Reset) ** | 3/4" | 10 | Boiler Drains, Hose Bib Connections | 3/4" |
| 5 | Aquastat (Manual Reset) | 1/2" | 11 | Condensate Drain (NPT Male) | 1 1/4" |
| 6 | Temperature and Pressure Gauge | 1/2" | | | |

* Relief valve size see attached relief valve submittal.
 ** See attached component submittal for detail description.

Service Clearance



Pressure Drop Curve



Technical Information

| Boiler Specifications | Unit | Description |
|--|-------------|---|
| Firing Sequence Operation | | Fully Modulating |
| Minimum Fuel Input | MBH | 208 |
| Maximum Fuel Input | MBH | 2,080 |
| Minimum Heat Output | MBH | 195 |
| Maximum Heat Output | MBH | 2,030 |
| Fuel Type | Type | Natural Gas |
| Gas Pressure | - | 3-20" WC (Dungs Gas Valve) |
| | - | 3 ¹ / ₂ " -14" WC (Honeywell Gas Valve) |
| Vent Connection | Inch | 10" |
| Air Intake | Inch | 8" |
| Condensate Drain Connection | Inch | 1 ¹ / ₄ " |
| Water Return Size | Inch | 3" Flanged |
| Water Supply Size | Inch | 3" Flanged |
| A.S.M.E MAWP | PSIG | 160 |
| Maximum Water Temperature Safety Limit | °F /°C | 200/93.3 |
| Water Temperature Operating Range | °F /°C | 50-200/10-93 |
| Min PRV Capacity | Btu/hr | 2,080,000 |
| Water Content | USG/L | 77/290 |
| Dry Boiler Weight | LB/kg | 1,980/899 |
| Control Voltage <12A | V/H/P | 110/1/60 |
| Blower Voltage | V/H/P | 110/1/60 |
| Burner Head | - | Metal Fiber |
| Control System | - | Honeywell Sola |