



185 Durham Street West, Mount forest,
 Ontario N0G 2L1, Canada
 Tel.:1-519-509-5000



Submittal
EPAW1600
Stainless Steel Condensing DHW
Heater



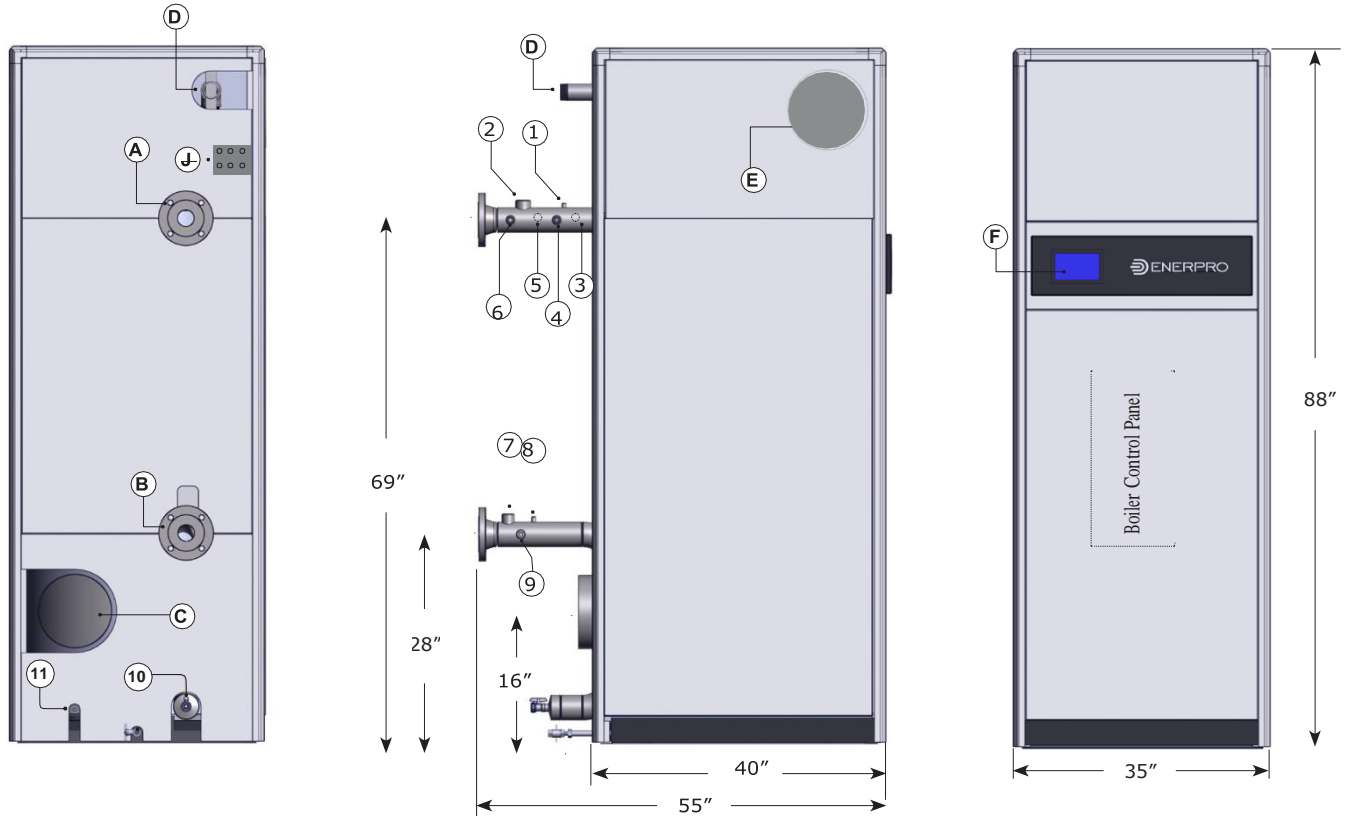
Project Name	
Project Location	
Contractor	
Engineering Firm	
Boiler Representative	
Sales Rep. Phone	
Date Created	

Relief Valve	
Notes	
Code	

Revision

1		Date:	4		Date:
2		Date:	5		Date:
3		Date:	6		Date:

EPAW 1600-Sub.8/17-RV2.2

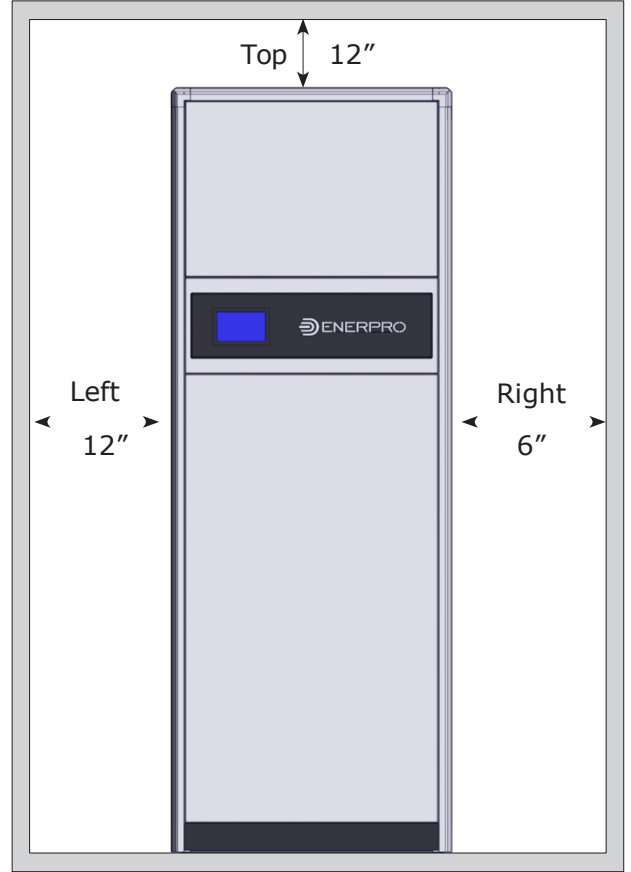
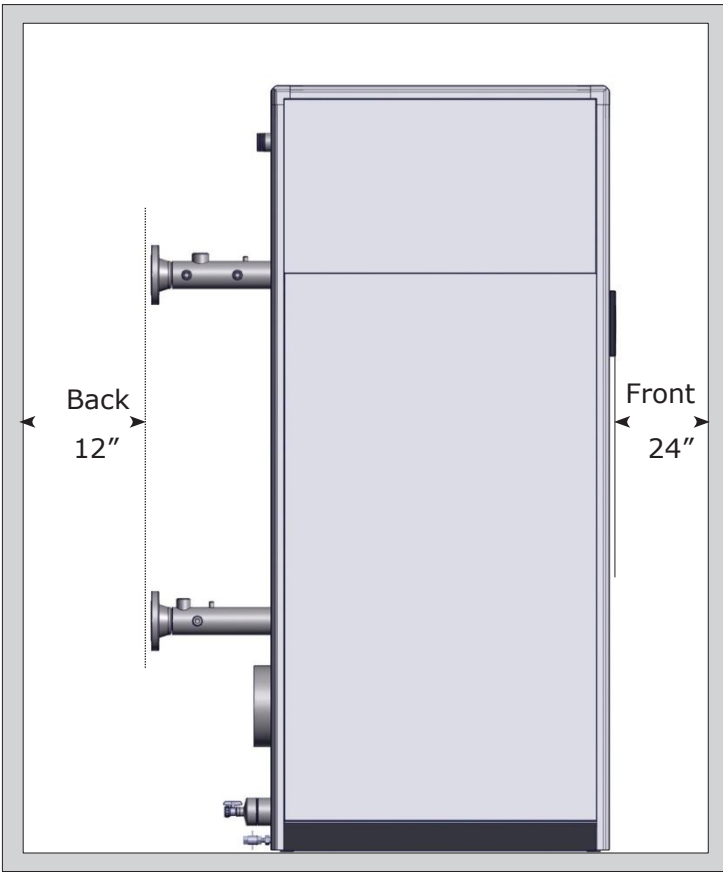


A	Boiler Supply (#150 ANSI Flanged)	2 1/2"	D	Gas Connection (NPT male)	1 1/2"	J	Wiring Junction	1/2"
B	Boiler Return (#150 ANSI Flanged)	2 1/2"	E	Combustion Air Inlet (Sealed Combustion Optional)	8"			
C	Boiler Exhaust Connection	8" ID	F	Honeywell Touch Screen	7"			

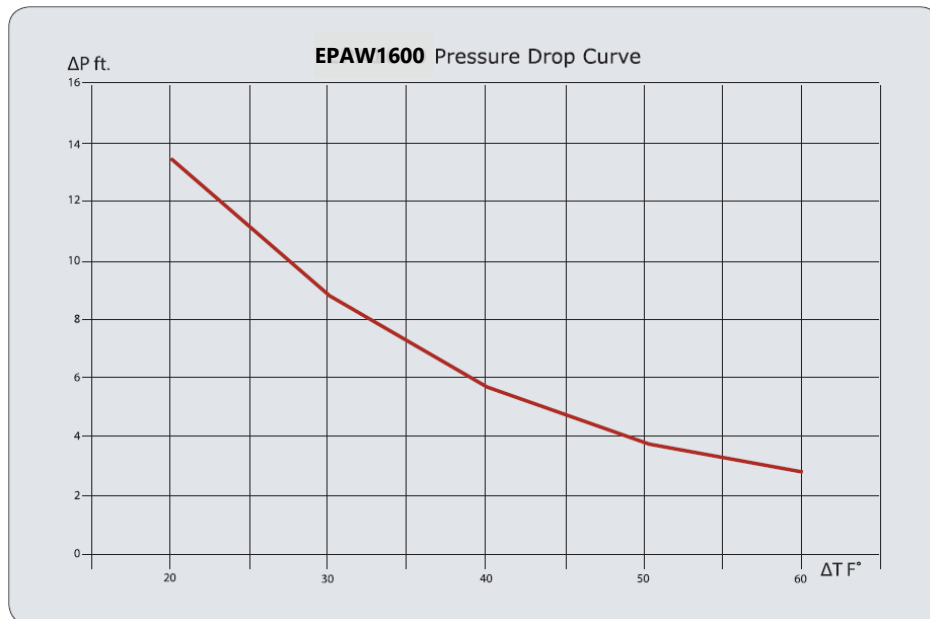
Ref.	Description	Size	Ref.	Description	Size
1	Air Vent	1/8"	7	Flow Switch	1"
2	Pressure Relief Valve *	1"	8	Air Vent	1/8"
3	NTC Temperature Sensor (Supply Water)	1/2"	9	NTC Temperature Sensor (Return Water)	1/2"
4	Low Water Cut Off (Manual Reset) **	3/4"	10	Boiler Drains, Hose Bib Connections	3/4"
5	Aquastat (Manual Reset)	1/2"	11	Condensate Drain (NPT Male)	1 1/4"
6	Temperature and Pressure Gauge	1/2"			

* Relief valve size see attached relief valve submittal.
 ** See attached component submittal for detail description.

Service Clearance



Pressure Drop Curve



Technical Information

Boiler Specifications	Unit	Description
Firing Sequence Operation		Fully Modulating
Minimum Fuel Input	MBH	160
Maximum Fuel Input	MBH	1,600
Minimum Heat Output	MBH	150
Maximum Heat Output	MBH	1,550
Fuel Type	Type	Natural Gas
Gas Pressure	-	3.5" -20" WC (Dungs Gas Valve)
	-	3.5"-14" WC (Honeywell Gas Valve)
Vent Connection	Inch	8"
Air Intake	Inch	8"
Condensate Drain Connection	Inch	1 1/4"
Water Return Size	Inch	2 1/2" Flanged
Water Supply Size	Inch	2 1/2" Flanged
A.S.M.E MAWP	PSIG	160
Maximum Water Temperature Safety Limit	°F /°C	200/93.3
Water Temperature Operating Range	°F /°C	50-200/10-93
Min PRV Capacity	Btu/hr	1,600,000
Water Content	USG/L	66/248
Dry Boiler Weight	LB/kg	1,750/795
Control Voltage <12A	V	110/1/60
Blower Voltage	V	110/1/60
Burner Head	-	Metal Fiber
Control System	-	Honeywell Sola