



185 Durham Street West, Mount forest, Onatrio N0G 2L1, Canada Tel.:1-519-509-5000

Submittal
EPN/EPW3300L
 Stainless steel Boiler
 Potable Water Heater
 Pool Heater



Project Name	
Project location	
Contractor	
Engineering Firm	
Boiler Representative	
Sales Rep. Phone	
Date Created	

Relief Valve	
Notes	
Code	

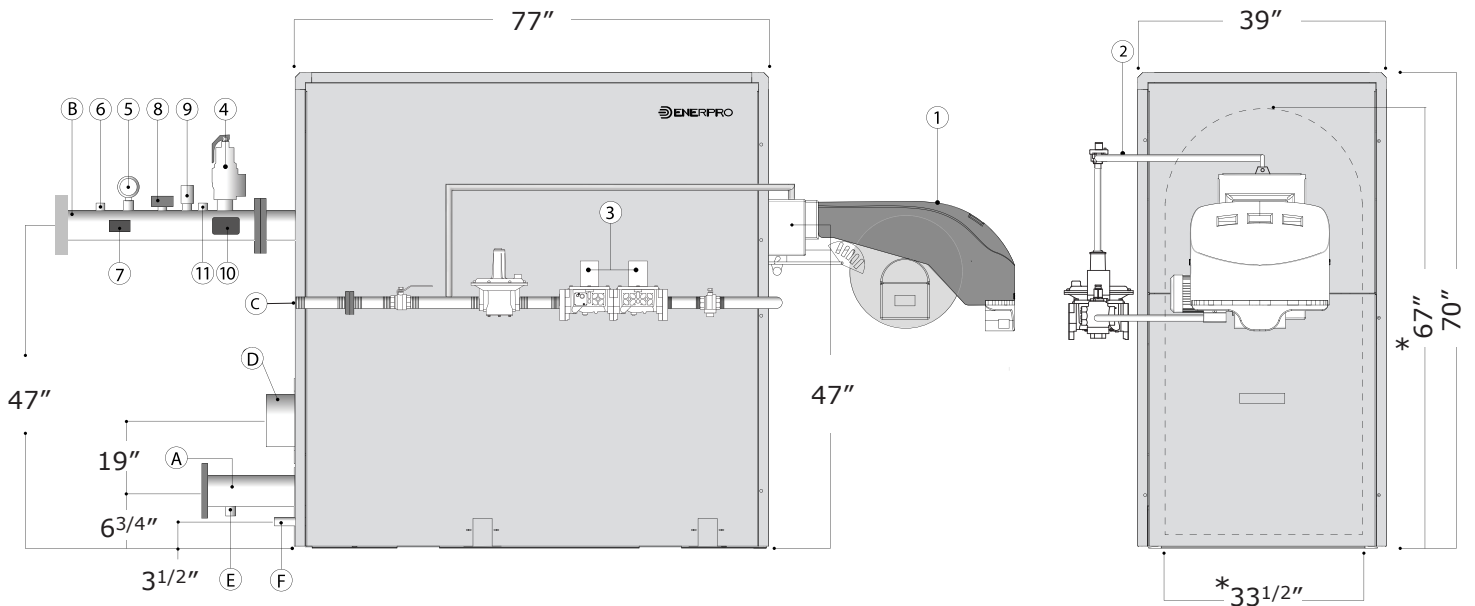
Revision

1		Date:	4		Date:
2		Date:	5		Date:
3		Date:	6		Date:

This drawing and the information depicted therein is the property of EnerPro Boilers Inc. Copies are issued in strict confidence and shall not be reproduced or copied or used as the basis for the manufacture or sale of products without prior written permission of EnerPro Boilers Inc.

EPN/EPW3300L-Submittal-3/2016-RV1

Submittal EPN/EPW3300L Stainless steel Boiler



- Ⓐ Boiler Return (#150 ANSI Flanged) 3"
- Ⓑ Boiler Supply (#150 ANSI Flanged) 3"
- Ⓒ Supply Gas (Refer to Burner Submittal)
- Ⓓ Boiler Exhaust 12" Dia
- Ⓔ Boiler Drain 3/4" NPT
- Ⓕ Condensate Drain 1 1/2 NPT

Ref.	Description	Size	Ref.	Description	Size
①	Riello Burner (refer to burner submittal for specifications)	-	⑦	High Temperature Limit	1/2"
②	Burner Pilot (Refer to Burner Submittal)	-	⑧	Flow Switch	1"
③	Main Gas Valves (Refer to Burner Submittal)	-	⑨	Air Vent	1/4"
④	Pressure Relief Valve	1 1/4"	⑩	Low Water Cut Off	3/4"
⑤	Temperature Pressure Gauge	1/2"	⑪	Spare Connection	3/4"
⑥	Temperature Sensor	1/2"			

* Dimension without casing

Submittal EPN/EPW3300L Stainless steel Boiler

Boiler Specifications		
Firing Sequence Operation	-	Fully Modulating
Minimum Fuel Input	MBH/kW	600/176
Maximum Fuel Input	MBH/kW	3,300/967
Minimum Heat Output	MBH/kW	586/172
Maximum Heat Output	MBH/kW	3,250/952
Thermal Efficiency (Net)	%	up to 98%
Standby Losses (Average)	%	<1.0
Gas Type	Type	Natural Gas / Propane
Gas pressure NG/LPG	"w.c.	7"wc to 5 psig NG/7"-11" wc LPG
Maximum Flue Gas Temperature	°F /°C	230/110
Maximum Water Temperature Safety Limit	°F /°C	210/99
Water Temperature Operating Range	°F /°C	32-200/0-93
MAWP (ASME)	psig	160
Water Capacity	USG/L	90/341
Dry Boiler Weight	LB/kg	2,640/1,180
Control Voltage	V/P/H	110/1/60
Blower Voltage	V/PH	Refer to burner submittal